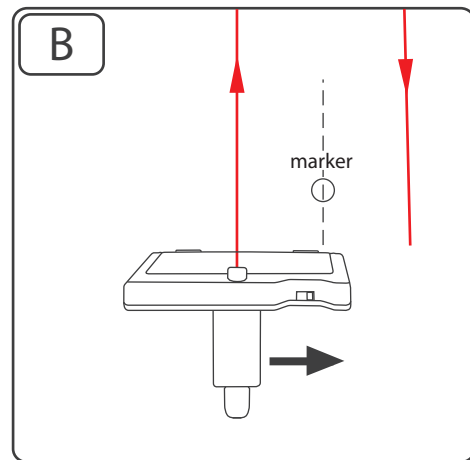
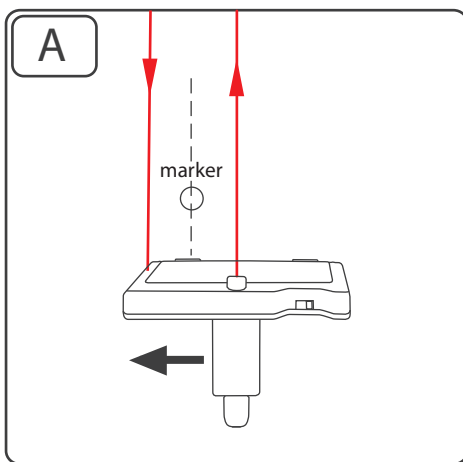


**Extra Tip.** Addressing any difficulty setting to zero at Stage 1F.  
Use this tip instead of tips 4 & 5 on page 7 in the instruction manual.

At Stage 1e if the reflected laser beam hits the laser unit outside the scale (Fig A) to either side, the laser dot may disappear when adjusting to zero or if the beam misses the laser unit completely (Fig B) to either side, it is necessary to move the laser unit sideways to the centre of the two beams (dashed line).

As shown in Fig A & B, position a marker (like a coin) at this central position. If the beam misses the laser unit completely adjust the mirror so the reflected beam hits the ground to the side of the laser unit for reference.



**Turn Off the laser.** Start again from Stage 1a, this time position the laser unit central with the marker as shown in Fig C, this should ensure the reflected laser beam hits the scale and it should not disappear when fine adjusting to zero. If the steering or vehicle is moved, repeat this step to find the centre line again.

